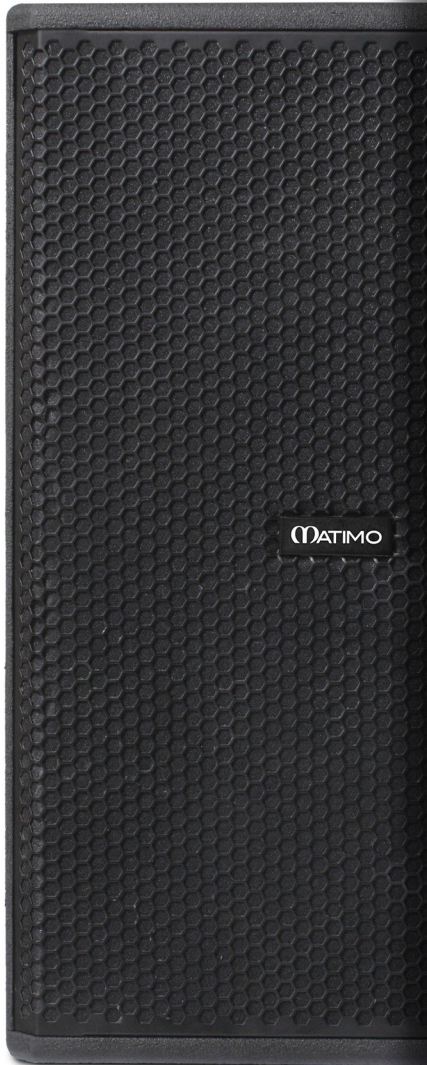


MS30



MS30

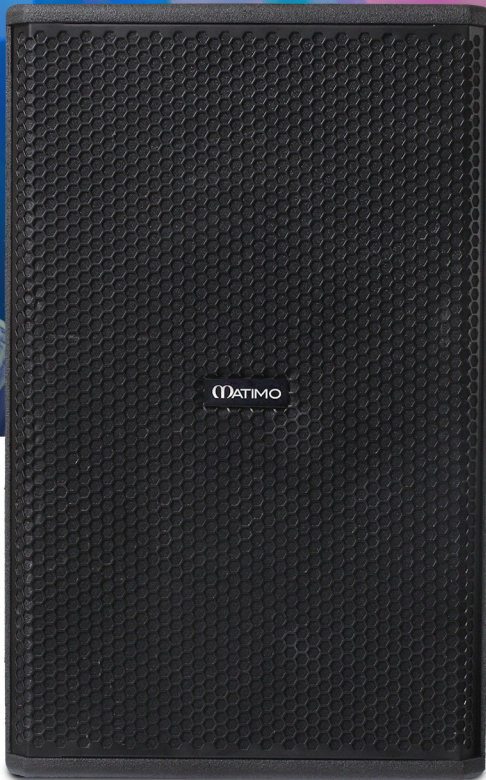


Specification

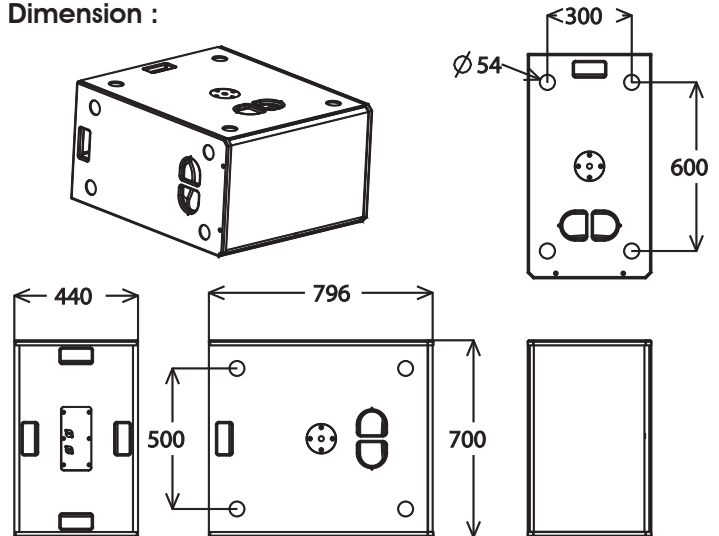
Passive
2 X 15 Sub Woofer
Semi Horn Load Design

4000 Watt
Program Power





Enclosure Dimension :



Net Weight : 58 kgs

SPECIFICATION

**Power Capacity (AES Standards)
RMS
Program
Frequency Response
Impedance
Compact Design**

High-Pass Filter

FEATURE

Recommended Application

**Recommended Signal Processing
Woofer Section**

Output Sensitivity

Box Construction

Grille

Input Connectors

Passive 2 X 15 Sub Woofer Semi Horn Load Design,
4000 Watt Program Power

2000 Watt AES
4000 Watt
40Hz (-10DB) to 200Hz
4 Ohm / Cabinet

Semi Horn Loaded Design for Compact and Powerful Throw and yet can Generate Good Extended Low Bass can match with SoundTech Amplifier SA1800H (Class H) 1800 @ 8 Ohm x 2 Channel
40Hz / 24 DB / Oct BW

Very Small and Compact Twin Sub (Long Throw Design)

Pub, Discotheque, Outdoor Live Band
Small to Medium Scale Events

40Hz to 100Hz Outdoor 38Hz to 90Hz Indoor

LF 2x 15" 15LFG400 - 4 inch Coil 1000 Watt AES
Impedance 4 Ohm

102 DB, 1 Meter / Watt, (38Hz -200Hz)
142 DB, Program Power / 1 Meter (40Hz-200Hz (Continuous))

Plywood 18 mm Engineered Wood Composite Structure,
Black Finish, 8 Handles

Hexagon Metal Net for Maximum Air Flow Wrapped with
UV Protected and Water Resistance Nylon Fabric

Speedcon® NL-8 (2x)
Pins 1 +/- & 2 +/-