

ADVANCE FOCAL SERIES

M210

Specification

2-Way

Built in Xover Line Array System

Power Capacity

1 800 Watt

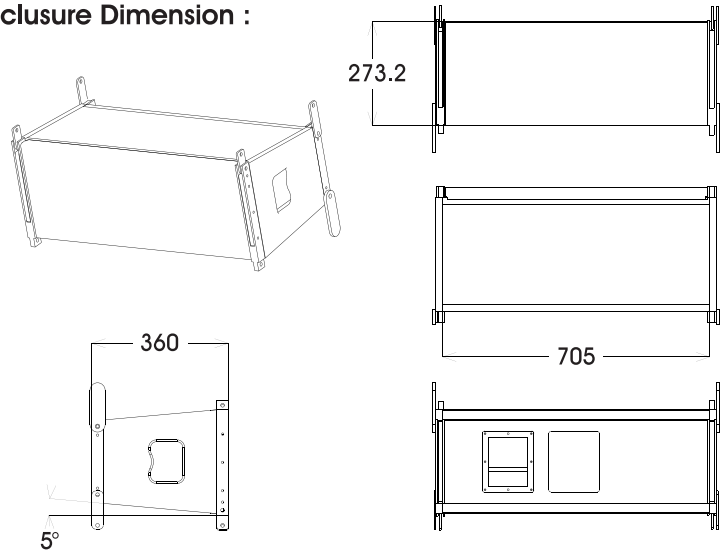




ADVANCE FOCAL SERIES M210



Enclosure Dimension :



Net Weight : 37 kgs

Frequency Response : At 1 Meter / Watt

SPECIFICATION

Power Capacity (AES Standards)
RMS
Program
Frequency Response

Technical Data
Impedance
Coverage
Sensitivity
SPL Max

FEATURE

Recommended Application

Woofer Section

Compression Driver
Box Construction
Input Connectors

2-Way Built in Xover Line Array System

900 Watt
1800 Watt
85Hz (-10DB) to 18500Hz

8 Ohm
80° or 120° × 10°
105 DB / Watt / Meter
138 DB / Watt / Meter

>Compact & High Power
Double 10 Line Array + Built in Xover
Indoor & Outdoor Live Performance
Small to Medium Size Event

Woofer 10 inch Mid Bass STA L 10 RCF (16 Ohm) x 2
450 AES, 3 inch Voice Coil

DE160 (16 Ohm) x 2, 44 mm Voice Coil
15 mm Plywood with Weather Proof Paint

Speedcon® NL-8 (2x)
Pins 1 +/- & 2 +/-