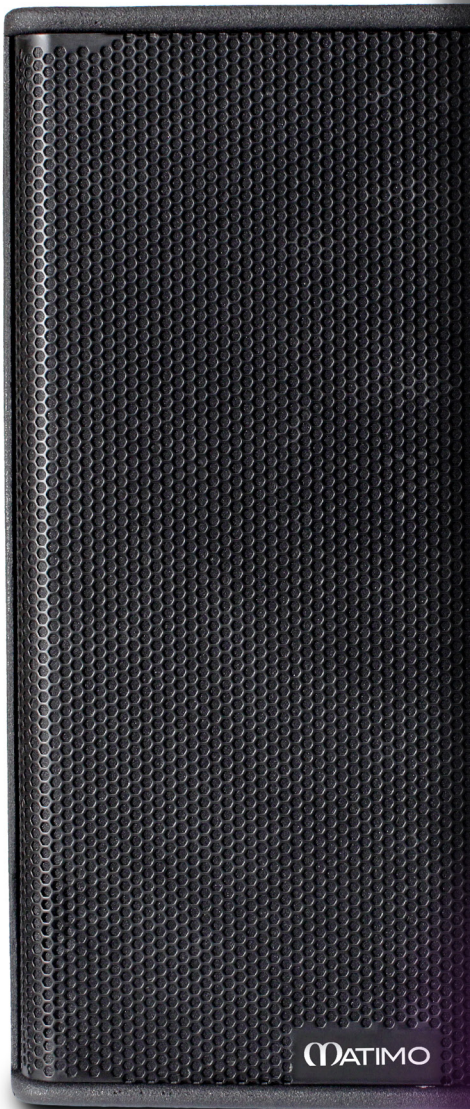


MP S15 R1(A)

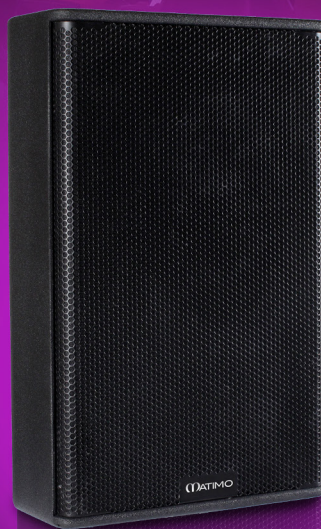
Specification

2-Way

Trapezoid Sound Reinforcement Enclosure
Built in Active Module 900 Watt @ 8 Ohm



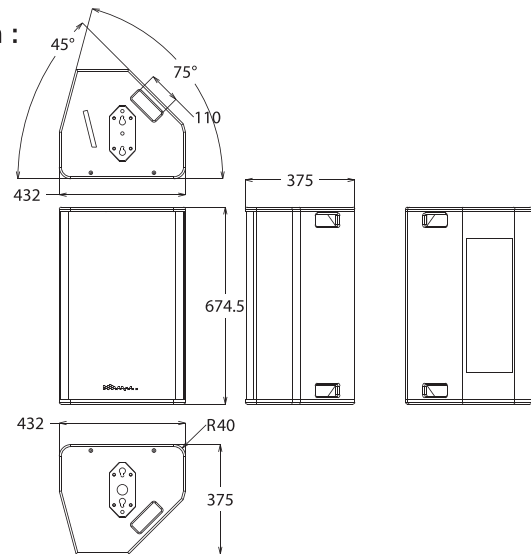
MPS15 R1(A)





MPS15 R1(A)

Enclosure Dimension :



Net Weight : 26 kgs

Frequency Response : At 1 Meter / Watt

SPECIFICATION

Power Capacity (AES Standards)
RMS
Program
Frequency Response

Output Sensitivity

FEATURE

Recommended Application

Woofer Section

High Driver

Box Construction

Grille

Input Connectors

2-Way Trapezoid Sound Reinforcement Enclosure
Built in Active Module 900 Watt @ 8 Ohm

500 Watt
1000 Watt
65Hz (-10DB) to 17500Hz

110 DB 1 Meter / Watt, (65Hz - 17500Hz (Continuous))
136 DB, Program Power / 1 Meter (65Hz-17500Hz (Continuous))
Heavy-Duty Crossover
90 x 40 Constant Directivity Horn

>Built in Active Module with 24 bit DSP
>Compact Design

>Point Source
>Stage Monitor

Woofer 1x 15" STA 15BM300
Impedance 8 Ohm 500 Watt AES

DE160 (8 Ohm) 40 Watt AES, 44 mm Coill

Plywood 15 mm Engineered Wood Composite Structure,
Black Finish, 4 Handles

Perforate Metal Grill with UV Protect Nylon Fabric

Speedcon® NL-8 (2x)
Pins 1 +/- & 2 +/-