



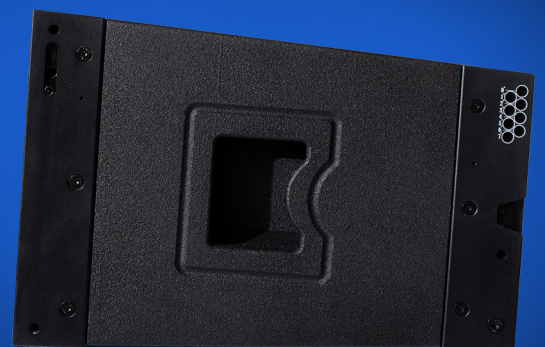
ADVANCE FOCAL SERIES

M212

Specification

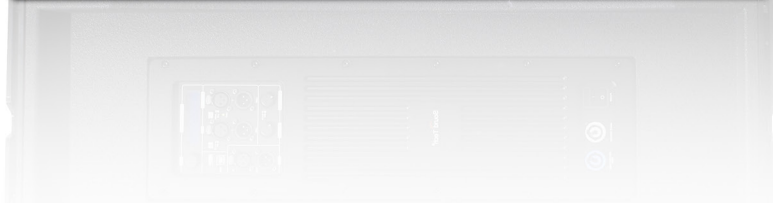
2-Way Active Line Array System

Power Capacity
2400 Watt

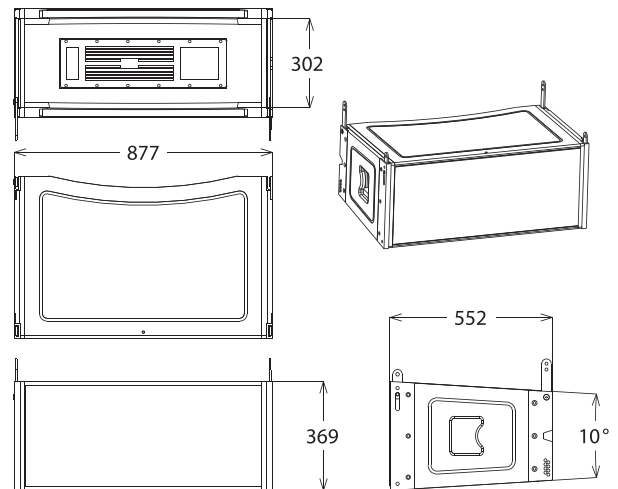




ADVANCE FOCAL SERIES M212



Enclosure Dimension :



Net Weight : 42.5 kgs

SPECIFICATION

Power Capacity (AES Standards)
RMS
Program
Frequency Response

Technical Data
Impedance
Coverage
Sensitivity
SPL Max

FEATURE

Recommended Application

Woofer Section

Compression Driver

Box Construction

Input Connectors

2-Way Active Line Array System

1200 Watt
2400 Watt
75Hz (-10DB) to 16500Hz

8 Ohm
70° / 110° × 10°
112 DB / Watt / Meter
145 DB / Watt / Meter

>High Power 2400 Watt Program Line Array
Double 12 Line Array + Built in Xover

Large Scale Outdoor Live Events
Medium to Stadium Size Event

Woofer 12 inch Mid Bass STA 12LA B&C (16)
600 AES, 3 inch Voice Coil

DE82TN (8 Ohm), 76 mm Voice Coil
Dome Made Of Composite Material

18 mm Plywood with Weather Proof Paint

Speedcon® NL-8 (2x)
Pins 1 +/- & 2 +/-