

ADVANCE FOCAL SERIES

M110



Specification

Single 10 inch
2-Way Passive Line Array System

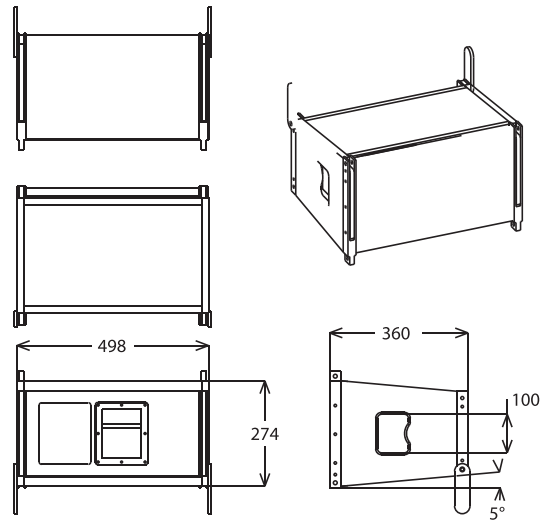
Power Capacity
900 Watt



ADVANCE FOCAL SERIES M110



Enclosure Dimension :



Net Weight : 14 kgs

SPECIFICATION

Power Capacity (AES Standards)
RMS
Program
Frequency Response

Technical Data
Impedance
Coverage
Sensitivity
SPL Max

FEATURE

Recommended Application
Woofer Section

Compression Driver

Box Construction

Input Connectors

Single 10 inch 2-Way Passive Line Array System

450 Watt
900 Watt
85Hz (-10DB) to 18500Hz

16 Ohm
80° or 120° × 10°
105 DB / Watt / Meter
138 DB / Watt / Meter

> Compact & High performance
10 inch Line Array + Built In Xover
Use of Phase Plug to Enhance Sound Performance

Indoor & Outdoor Live Performance

Woofer 10 inch Mid Bass STA L 10 RCF(16) x1
450 AES, 3 inch Voice Coil

DE160 x 2, 44 mm Voice Coil
Composite Material

15 mm Plywood with Weather Proof Paint
Additional Reinforcement for Hanging

Speedcon® NL-8 (2x)
Pins 1 +/- & 2 +/-