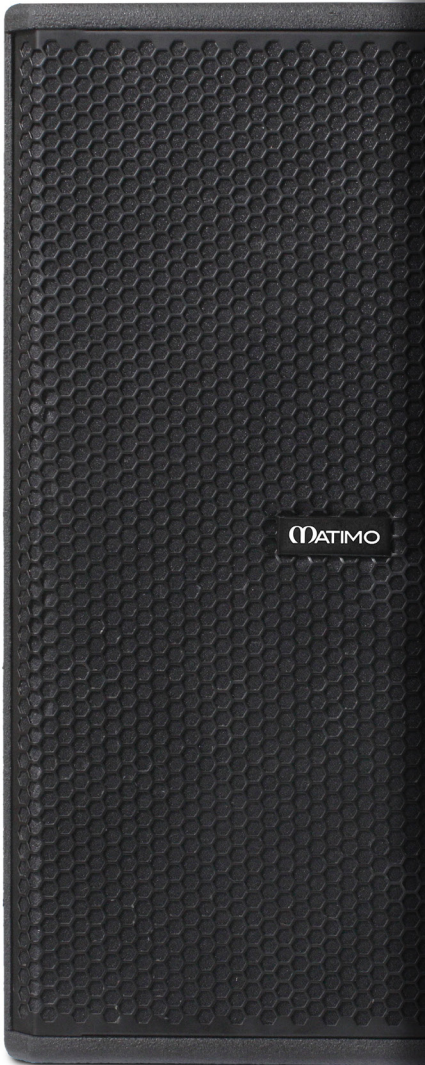


MS30A



MS30A

Specification

Active

Twin 2 X 15 Sub Woofer
Semi Horn Load Design

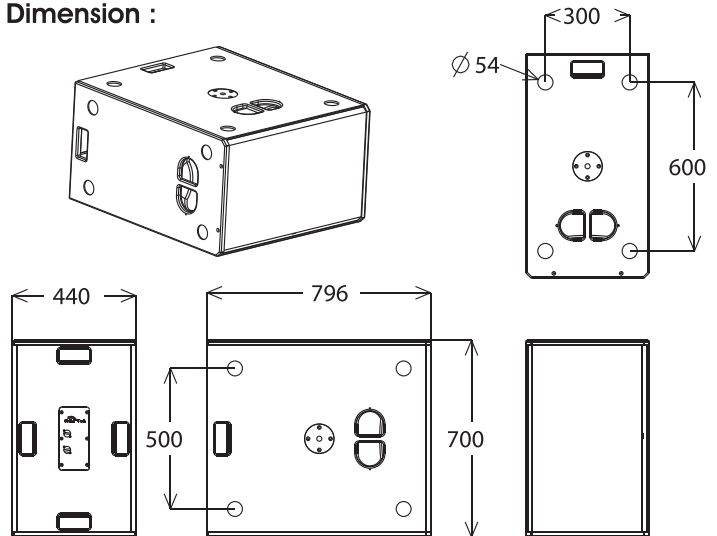
4000 Watt
Program Power



MS30A



Enclosure Dimension :



Net Weight : 65 kgs

SPECIFICATION

**Power Capacity (AES Standards)
RMS**

**Program
Frequency Response
Compact Design**

High-Pass Filter

FEATURE

Recommended Application

**Recommended Signal Processing
Woofer Section**

Output Sensitivity

Box Construction

Grille

Input Connectors

Active Twin 2 X 15 Sub Woofer Semi Horn Load Design,
4000 Watt Program Power
Built in DSP Module 1500 Watt @ 8 Ohm

1500 Watt Continuous Power @8 Ohm Class D/DSP Amplifier
with Weather Proof and All Aluminium Heat Sink
4000 Watt
40Hz (-10DB) to 200Hz

Semi Horn Loaded Design for Compact and Powerful Throw and
yet can Generate Good Extended Low Bass
40Hz / 24 DB / Oct BW

Very Small and Compact Twin Sub (Long Throw Design)

Pub, Discotheque, Outdoor Live Band
Small to Medium Scale Events

40Hz to 100Hz Outdoor

LF 2x 15" 15LFG400 - 4 inch Coil 1000 Watt AES
Impedance 8 Ohm

102 DB, 1 Meter / Watt, (38Hz -200Hz)
142 DB, Program Power / 1 Meter (40Hz-200Hz (Continuous))

Plywood 18 mm Engineered Wood Composite Structure,
Black Finish, 8 Handles

Black Perforated Steel, LF Grilles Foam

Speedcon® NL-8 (2x)
Pins 1 +/- & 2 +/-