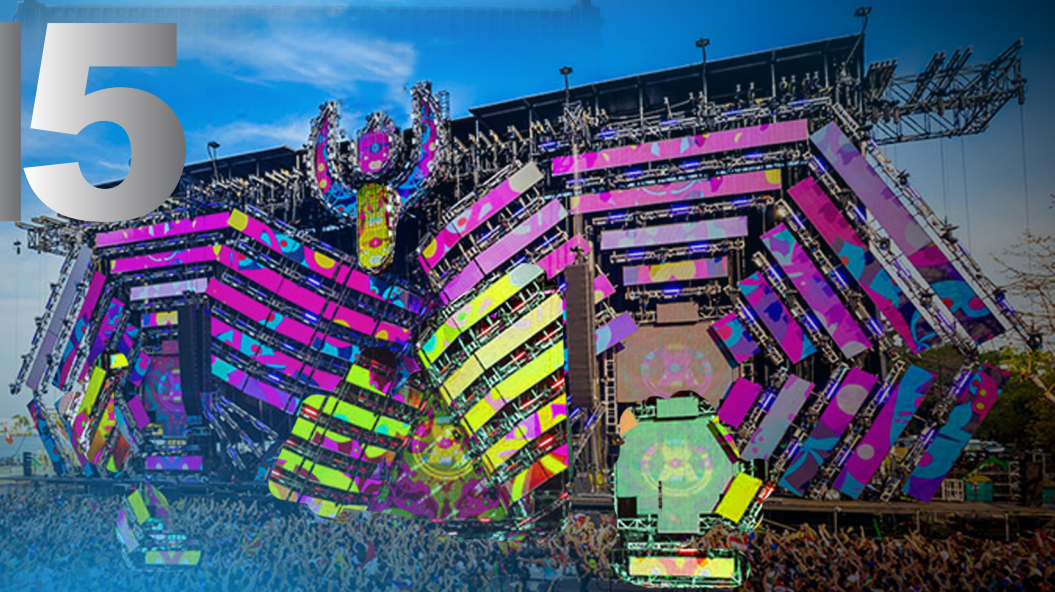




# MS15



## Specification

**Passive 1 X 15 Flying Sub + Mid Low**

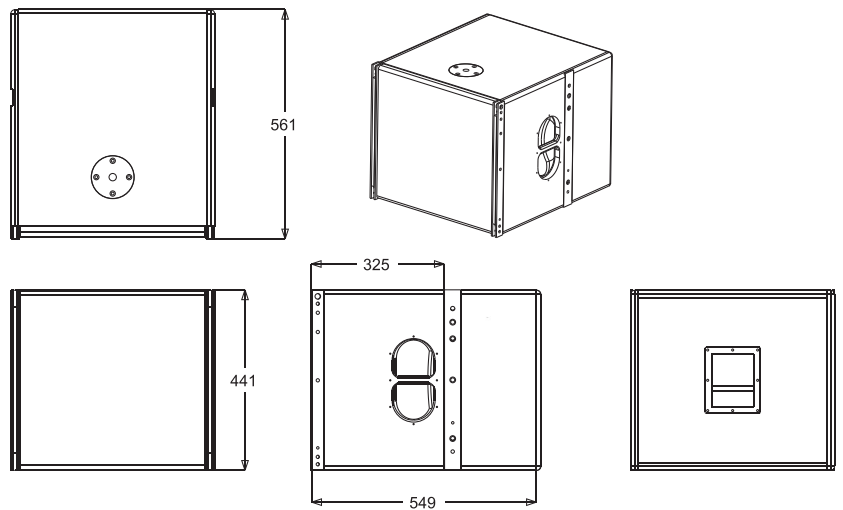
**2000 Watt  
Program Power**



# MS15



**Enclosure Dimension :**



**Net Weight : 58 kgs**

## SPECIFICATION

**Power Capacity (AES Standards)  
RMS  
Program  
Frequency Response  
Impedance**

## FEATURE

**High-Pass Filter  
Recommended Application  
Recommended Signal Processing  
  
Woofer Section  
  
Output Sensitivity  
  
Box Construction  
  
Grille  
Input Connectors**

Passive 1 X 15 Flying Sub + Mid Low, 2000 Watt Program Power

1000 Watt AES  
Program Power 2000 Watt  
40Hz (-10DB) to 350Hz  
8 Ohm / Cabinet

Compact Design  
15 inch Flying Sub + Mid Low Matching with Advance Focal Series 110  
Comes with Flying Accessories

40Hz / 24 DB / Oct BW

Pub, Discotheque, Outdoor Live Band

Sub 38hz to 100HZ  
Mid Low 55hz to 350HZ

Woofer 1 x 15 LFG400  
Impedance 8 Ohm 1000 Watt AES

96 DB, 1 Meter / Watt (38Hz - 200Hz (Continuous))  
130 DB, Program Power / 1 Meter (40Hz - 200Hz (Continuous))

Plywood 18 mm Engineered Wood Composite Structure,  
Black Finish

Black Perforated Steel, LF Grilles Foam

Speedcon® NL-8 (2x)  
Pins 1 +/- & 2 +/-