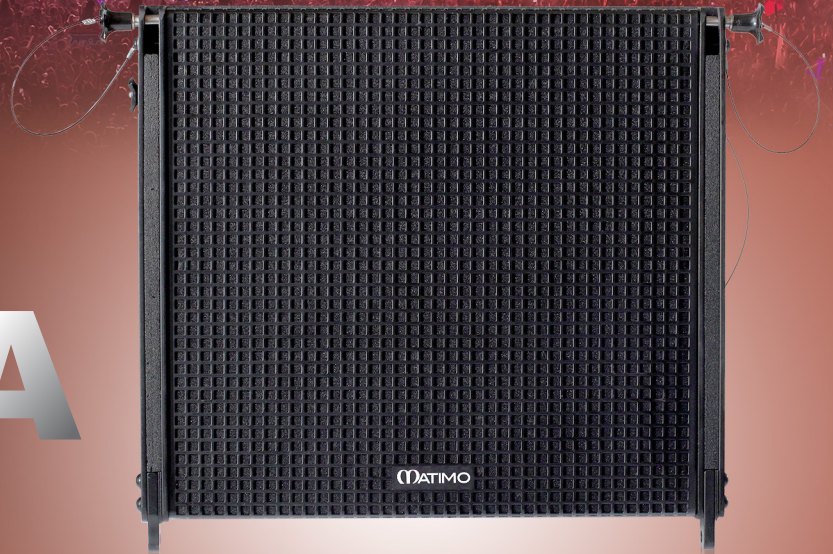




MS15A



Specification

Active 1 X 15 Flying Sub + Mid Low
2000 Watt
Program Power

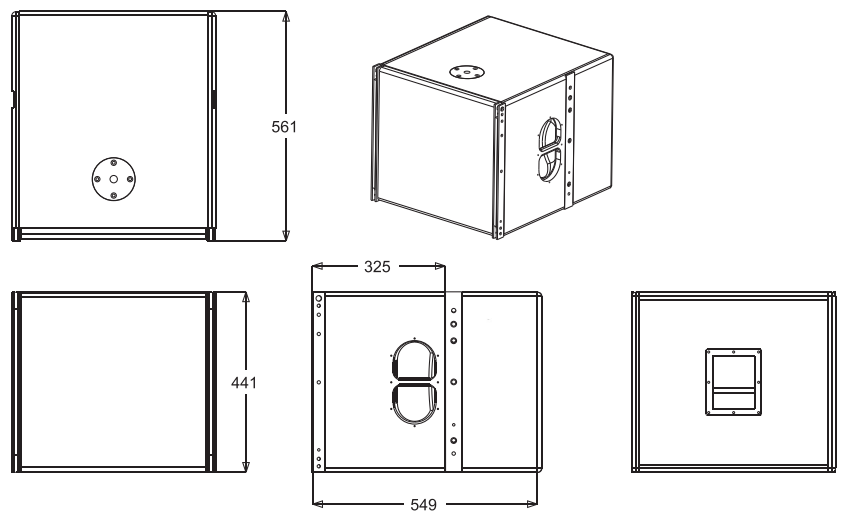




MS15A



Enclosure Dimension :



Net Weight : 68 kgs

SPECIFICATION

Power Capacity (AES Standards)
RMS
Program
Frequency Response
Impedance

FEATURE

High-Pass Filter
Recommended Application
Recommended Signal Processing

Woofer Section

Output Sensitivity

Box Construction

Grille

Input Connectors

Active 1 X 15 Flying Sub + Mid Low (Built in Active Module DSP 32 Bit 1200W @ 8 Ohm x 2 Channel)

1000 Watt AES
Program Power 2000 Watt
45Hz (-10DB) to 350Hz
8 Ohm / Cabinet

Built in 2 Channel 1200 Watt @ 8 Ohm x 2 Active DSP 32 Bit Module 15 Inch Flying Sub + Mid Low Matching with Advance Focal Series 110 Comes with Flying Accessories
45Hz / 24 DB / Oct BW

Pub, Discotheque, Outdoor Live Band

Sub 40hz to 100HZ
Mid Low 45hz to 350HZ

1 x 15" 15LFG400-4 Inch Coil 1000 Watt AES
LF Impedance 8 Ohm

96 DB, 1 Meter / Watt (38Hz - 200Hz (Continuous))
130 DB, Program Power / 1 Meter (40Hz - 200Hz (Continuous))

Plywood 18 mm Engineered Wood Composite Structure, Waterproof Finishing

Black Perforated Metal Grill, with Nylon UV Proof Cloth

Speedcon® NL-8 (2x)
Pins 1 +/- & 2 +/-